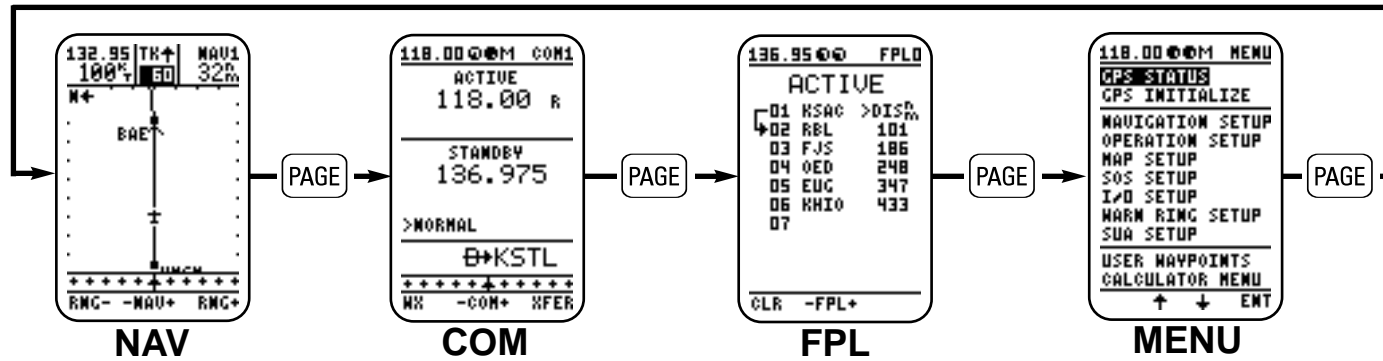


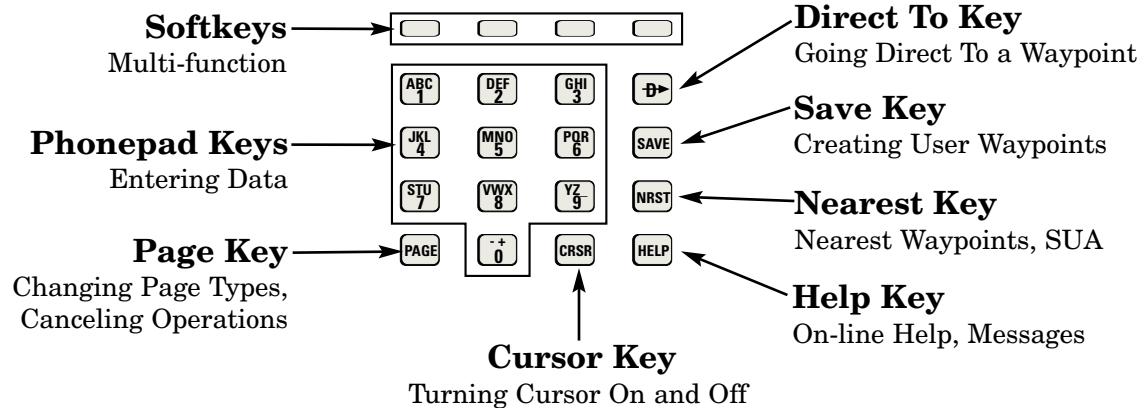


# Quick Reference Card

## Main Page Types (PAGE Key)



## Keypad Controls



## KLX 100 Pages

### Navigation (NAV)

- NAV 1 Moving map
- NAV 2 "Mini-HSI" and navigation data
- NAV 3 Position and altitude summary
- NAV 4 Waypoint library

### Communication (COM)

- COM 1 Flip-flop and duplex COMM tuning
- COM 2 QuickTune® frequency selection, memory channels
- COM 3 COMM scanning

### Flight Plan (FPL)

- FPLS Directory of flight plans
- FPL 0 Active flight plan
- FPL 1-29 Stored flight plans

### Menu

- MENU Main Menu
- STAT GPS signal status
- INIT GPS mode, time, and position initialization
- NAV Navigation setup
- OPER Operation setup
- MAP Moving map setup
- SOS SOS Beacon setup
- I/O Input/Output setup
- WARN Warning Ring setup
- SUA SUA Setup
- WYPT User waypoints
- CALC Calculator menu

### *To initialize the present position:*

1. Select the Main Menu, then GPS Initialize page. Make sure the GPS mode is **NORMAL**. Use the **CHNG** softkey to change the **MODE** if necessary.
2. Use the **↓** softkey to move the cursor to the **WPT** field.
3. Use the phonepad keys and softkeys to enter the identifier for a nearby waypoint.
4. Press the **ENT** softkey.

### *To initialize the time and date:*

1. Select the Main Menu, then the GPS Initialize page.
2. If the time zone is incorrect, use the **↓** softkey to move the cursor to the time zone field and press the **CHNG** softkey until the correct time zone is shown.
3. Move the cursor to the **TIME** field, enter the numbers for the correct time (in 12-hour or 24-hour time) and press the **ENT** softkey.
4. Move the cursor to the **DATE** field and enter the numbers for the correct day of the month.
5. Use the **←** and **→** softkeys until the correct month is shown. Press **ENT**.
6. If necessary, enter the correct numbers for the year and press **ENT**.

### *To go Direct To a waypoint:*

1. Press the **DIR** key. The Direct To (DIR) page will be displayed with a waypoint page.
2. Enter the desired waypoint identifier using the phonepad keys along with the softkeys. Verify that the desired waypoint is displayed.
3. Press the **ENT** softkey to confirm. This initiates the Direct To—your D-bar will be centered, and you're on your way!

Alternatively, display the desired waypoint on the NAV 4 page, or move the cursor over a desired waypoint identifier field on any page, and press the **DIR** key followed by the **ENT** softkey to initiate the Direct To.

### *To cancel a Direct To:*

1. Press the **DIR** key to display the Direct To (DIR) page.
2. Press the **CLR** softkey to clear the Direct To waypoint field.
3. Press the **ENT** softkey to confirm you want to cancel Direct To operation.

If there are waypoints in the Active Flight Plan (FPL 0), the KLX 100 will navigate along the nearest leg. If there are no waypoints in FPL 0, KLX 100 navigation will flag.

### *To enter a frequency on the Title Bar:*

1. If necessary, press the **CRSR** key to turn off the cursor.
2. Press the **ARC 1** key for a COMM freq. or press the **WX 8** key for a weather freq. (Americas DB). Nearest WX channel is filled in.
3. Use the phonepad number keys to complete the entry.

### *To view the nearest airport(s):*

1. Press the **NRST** key, then select **APT** and press **ENT**. The five nearest airports will be displayed. Use the **↓** and **↑** softkeys to select the other nearest airports.
2. Press the **INFO** softkey to see the Waypoint page for the selected nearest airport, or press the **DIR** key if you wish to go Direct To the selected nearest airport.

### *To use help:*

1. If you are on a page with which you are not familiar, press the **HELP** key to see 1-3 pages of help about that particular page.
2. After you read each page of help, press the **MORE** softkey to look at the next page.
3. If you wish to see additional help topics, press the **IDX** softkey for the help index.



*AlliedSignal*  
*Commercial Avionics Systems*  
400 North Rogers Road  
Olathe, Kansas 66062-1294  
TELEX 669916 KINGRAD  
FAX 913-791-1302  
TELEPHONE (913) 782-0400

© 1996 AlliedSignal Inc.

9/96 006-18009-0001 4K  
Printed in USA